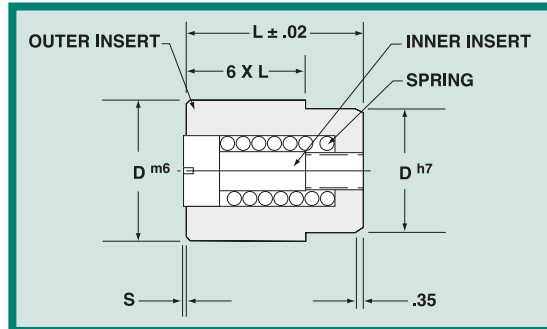




Front Removable Date Stamps Economy Series "E"



NOTE: Press fit installation required in mold.

INSERT ASSEMBLIES

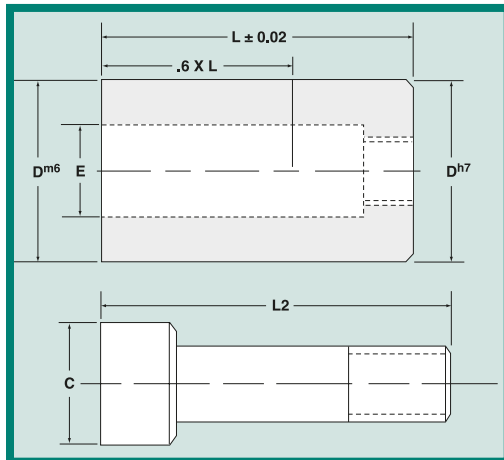
D	L	12 Months w/arrow	12 Months w/arrow/year*	Years/arrow**	Days/arrow	Shifts/arrow	Numeral 0-9	Blank/arrow
4	8	M0408	M04 x __	A04 x __	DA04	SH04		BL0408
5	8	M0508	M05 x __	A05 x __	DA05	SH05		BL0508
6	8	M0608	M06 x __	A06 x __	DA06	SH06	FOR0006	BL0608
8	10	M0810	M08 x __	A08 x __	DA08	SH08	FOR0008	BL0810
10	12	M1012	M10 x __	A10 x __	DA10	SH10	FOR0010	BL1012
12	14	M1214	M12 x __	A12 x __	DA12	SH12	FOR0012	BL1214
16	14	M1614	M16 x __	A16 x __	DA16	SH16	FOR0016	BL1614
20	16	M2016	M20 x __	A20 x __	DA20	SH20	FOR0020	BL2016

Material: 420 Stainless; 1.4021;46Hrc+/- 2

- Provides part traceability
- Maximum working Temperature: 300F
- Markings are Laser etched.
- Insert changes can be done from parting line
- Press fit installation required
- Interchangeable with DME Front Removable or Progressive C-series

* When ordering add the year required to the part number (M05 x 07)

**When ordering specify beginning year



NOTE: Press fit installation required in mold.

REPLACEMENT BODIES

D	L	12 Months	Days	Shifts	Blank
4	8	MB04	DB04	SB04	BLB04
5	8	MB05	DB05	SB05	BLB05
6	8	MB06	DB06	SB06	BLB06
8	10	MB08	DB08	SB08	BLB08
10	12	MB10	DB10	SB10	BLB10
12	14	MB12	DB12	SB12	BLB12
16	14	MB16	DB16	SB16	BLB16
20	16	MB20	DB20	SB20	BLB20

Replacement Inserts & Bodies

DIMENSIONAL DATA

D(mm) Dia.	E (mm)	L(mm) Length	S(mm) Etch Depth	Tolerance(mm)	
				m6	h7
4	2,1	8	.203	+ ,012 to +,004	0 to -,012
5	3,1	8	.203	+ ,012 to +,004	0 to -,012
6	3,1	8	.203	+ ,012 to +,004	0 to -,012
8	4,4	10	.254	+ ,015 to +,006	0 to -,015
10	5,2	12	.3556	+ ,015 to +,006	0 to -,015
12	6,2	14	.3556	+ ,018 to +,007	0 to -,018
16	8,2	14	.3556	+ ,018 to +,007	0 to -,018
20	11	16	.3556	+ ,021 to +,008	0 to ,021

REPLACEMENT INSERTS (with springs)

Arrow Only	Arrow & Year*	C	L2
AR04	AY04 __	2,1	8
AR05	AY05 __	3,1	8
AR06	AY06 __	3,1	8
AR08	AY08 __	4,4	10
AR10	AY10 __	5,2	12
AR12	AY12 __	6,2	14
AR16	AY16 __	8,2	14
AR20	AY20 __	11	16

REPLACEMENT SPRINGS (pkg of 5)

D(mm) Diameter	Cat. Number
4	RS04
5	RS05
6	RS06
8	RS08
10	RS10
12	RS12
16	RS16
20	RS20

* When ordering add the year required to the part number